

WATER SUPPLY & ACCESSORIES



 **EVERFLOW™**



QUALITY

Beneath each and every Everflow label lies our dedication and commitment to bringing you the world's finest engineered products. We search the globe to source our products from some of the world's best manufacturing facilities, where production is done with the highest levels of craftsmanship and quality. Manufacturing facilities conform to ISO 9001 standards. Products meet the highest applicable UL/FM, CSA & ASTM standards.



SERVICE

Everflow customers have become accustomed to our unparalleled level of customer service. Our knowledgeable and courteous staff are always available and ready to provide you with superb service, while helping you get the products & information you need. We keep an extensive inventory on hand, so that when you place your order, you know it's in stock and ready to ship.



RELIABILITY

Our distribution network is one of the most reliable in the industry. We utilize the most advanced technologies, enabling our customers increased flexibility and faster turnaround on orders. Our state-of-the-art distribution center ensures the efficiency and reliability that you can count on.



TEXAS

NEW JERSEY

ILLINOIS

GEORGIA

FAUCETS

Loop Handle Lavatory Faucet **BALDOR**

Single Lever Loop Handle • Chrome Finish • SS Ball Control



PART #	SIZE / DESCRIPTION	INNER	MASTER
BHN-V13C (old #17245)	Loop Handle CP W/ Brass pop/up	1	12

Lever Handle Lavatory Faucet **BALDOR**

Lever Handle • Chrome Finish • SS Ball Control



PART #	SIZE / DESCRIPTION	INNER	MASTER
BAR-V11C (old #17344)	Lever Handle CP W/ Brass pop/up	1	12

Single Lever Lavatory Faucet **BALDOR**

Solid Handle • Chrome Finish • SS Ball Control



PART #	SIZE / DESCRIPTION	INNER	MASTER
BHN-V11C (old #17345)	Lever Handle CP W/ Brass pop/up	1	12

Single Lever Lavatory Faucet **BALDOR**

Lever Handle • Chrome Finish • SS Ball Control



PART #	SIZE / DESCRIPTION	INNER	MASTER
BAR-V13C (old #17244)	Loop Handle CP W/ Brass pop/up	1	12

Two Handle Lavatory Faucet **BALDOR**

Gerber Style • Acrylic Handle • Chrome Finish



PART #	SIZE / DESCRIPTION	INNER	MASTER
BAR-B17C (old #17140-NL)	2H CP W/ Brass pop/up	1	12

Two Handle Lavatory Faucet **BALDOR**

Gerber Style • Chrome Plated Handle • Chrome Finish



PART #	SIZE / DESCRIPTION	INNER	MASTER
BAR-B15C (old #17142-NL)	2H CP W/ Brass pop/up	1	12

FAUCETS

Two Handle Lavatory Faucet **BALDOR**

Acrylic Handle • Chrome Finish



PART #	SIZE / DESCRIPTION	INNER	MASTER
BAR-B13C (old #17143)	2H CP Washerless W/ Brass pop/up	1	12

Two Handle Lavatory Faucet **BALDOR**

Chrome Handle • Chrome Finish



PART #	SIZE / DESCRIPTION	INNER	MASTER
BGL-B11C (old #17146)	2H CP Washerless W/ Brass pop/up	1	12

Self Closing Faucet **BALDOR**

Cross Handle • Chrome Finish • Wall Mount



PART #	SIZE / DESCRIPTION	INNER	MASTER
BSP-M90C (old #17900)	1/2" Wall Mount	1	24

Self Closing Faucet **BALDOR**

Cross Handle • Chrome Finish • Basin Mount



PART #	SIZE / DESCRIPTION	INNER	MASTER
BSP-M91C (old #17901)	1/2" Basin Mount	1	24

Designer Lavatory Faucet **REUSS**

Single Handle • Ceramic Disc • Flex SS Supply Tubes



PART #	SIZE / DESCRIPTION	INNER	MASTER
RTV-V10C (old #17411-NL)	1H, Single Hole CP	1	12

Designer Kitchen Faucet **REUSS**

Single Handle • Ceramic Disc • Flex SS Supply Tubes



PART #	SIZE / DESCRIPTION	INNER	MASTER
RTV-K10C (old #17811-NL)	1H, Single Hole CP Kit Faucet	1	12

FAUCETS

Single Lever Kitchen Faucet **BALDOR**

Solid Handle • Chrome Finish



PART #	SIZE / DESCRIPTION	INNER	MASTER
BAR-K10C (old #17381)	Without Spray	1	12
BAR-K11C (old #17382)	With Spray	1	12



Single Lever Kitchen Faucet **BALDOR**

Loop Handle • Chrome Finish



PART #	SIZE / DESCRIPTION	INNER	MASTER
BAR-K12C (old #17283)	Without Spray	1	12
BAR-K13C (old #17284)	With Spray	1	12



Two Handle Kitchen Faucet **BALDOR**

Gerber Style • Chrome Plated Handles • Chrome Finish



PART #	SIZE / DESCRIPTION	INNER	MASTER
BAR-G10C (old #17182-NL)	2H Kit Faucet Without Spray	1	12
BAR-G11C (old #17184-NL)	2H Kit Faucet W/ Spray	1	12



Two Handle Kitchen Faucet **BALDOR**

Acrylic Handle • Chrome Finish



PART #	SIZE / DESCRIPTION	INNER	MASTER
BAR-G12C (old #17181)	2H Washerless Without Spray	1	12
BAR-G15C (old #17183)	2H Washerless With Spray	1	12



High Spout Kitchen Faucet **BALDOR**

Two Handle • Chrome Plated • Chrome Finish



PART #	SIZE / DESCRIPTION	INNER	MASTER
BGL-G10C (old #17187)	2H CP Washerless Without Spray	1	10
BGL-G11C (old #17188)	2H CP Washerless W/ Spray	1	10



Wrench for Symmons Tool **RAVEN**



Hot & Cold Seat Wrench • Removes Diverter Cap

- Easy out for diverter removal



PART #	SIZE / DESCRIPTION	INNER	MASTER
SYMM/TOOL	1/4" - 3/4"	10	60

FAUCETS

Tub & Shower Set

BALDOR

Single Lever Handle • Chrome Plated • Solid Handle



- Temperature limit stops
- 1/2" IPS connections w/CxC adapters
- Oversized shower head w/ adjustable spray pattern



PART #	SIZE / DESCRIPTION	INNER	MASTER
BAR-T40C (old #18303)	Solid Handle	1	8

Tub & Shower Set

BALDOR

Single Lever Handle • Chrome Plated • Loop Handle



- Temperature limit stops
- 1/2" IPS connections w/CxC adapters
- Oversized shower head w/ adjustable spray pattern



PART #	SIZE / DESCRIPTION	INNER	MASTER
BAR-T41C (old #18304)	Loop Handle	1	8

Tub & Shower Set

BALDOR

Three Handles • Chrome Plated



- Interchangeable with Gerber parts
- Threaded die cast zinc tub spout



PART #	SIZE / DESCRIPTION	INNER	MASTER
BAR-T43C (old #18300)	Tub & Shower	1	12

Contemporary Style

RAVEN
SPECIALTY PRODUCTS

2.5 GPM • Strong Flow • Chrome Plated



PART #	SIZE / DESCRIPTION	INNER	MASTER
52-201	1-3/4"	10	50
52-202	2-1/4"	10	40
52-203	3"	1	20

Tub Spout

RAVEN
SPECIALTY PRODUCTS

Patented Item • Slip Fit Adapter



PART #	SIZE / DESCRIPTION	INNER	MASTER
823ZS	1/2" IPS w/ 1/2" Copper Adapter	1	30

Repair Plates

RAVEN
SPECIALTY PRODUCTS

Single Lever Shower Body • Stainless Conversion Plates



PART #	SIZE / DESCRIPTION	INNER	MASTER
RP-01	Delta/Moen	10	20
RP-02	Symmons	10	20
RP-03	Symmons Oval	10	20

Repair Handles



For Gerber & Symmons



PART #	SIZE / DESCRIPTION	INNER	MASTER
RHKS	Handle, Button & Screw for Symmons Temptrol	1	25
GWBH	Gerber Chrome Plated Wrist Blade Handles	1	25

Pressure Balance Shower Cartridge



Fits Gerber • Pressure Balance Design

- Anti-scald capability
- Air tested to avoid leaking



PART #	SIZE / DESCRIPTION	INNER	MASTER
PBGS	Shower Cartridge	1	1

Brass Stem Tub / Shower



Fits Gerber • 16 Broach



PART #	SIZE / DESCRIPTION	INNER	MASTER
4125	Hot or Cold Shower Stem	25	100

Tub & Shower Handle



Fits Gerber • Chrome Plated • 16 Broach w/ Screw



PART #	SIZE / DESCRIPTION	INNER	MASTER
3481	Hot or Cold	25	100
3482	-	25	100
3483	-	25	100

Gerber Shower Repair Kit



Fits Gerber

- Includes 3 handles
- 2 shower stems
- 1 diverter
- 3 sleeves



PART #	SIZE / DESCRIPTION	INNER	MASTER
34800	Shower Repair Kit	1	25

Gerber Replacement Parts



Fits Gerber Faucets



PART #	SIZE / DESCRIPTION	INNER	MASTER
4101-NL	Seat - 5/8 - 20 Thread x 27/64" H	50	200
4126-NL	Stem - Hot/Cold Pair	25	50
41261-NL	Stem - Hot Only	50	100
41262-NL	Stem - Cold Only	50	100
4140	Tub Sleeve	25	100
4115	Escutcheon	25	100
4127	Stem Div	25	100

WATER SUPPLY

Braided Faucet Supply

Lead Free • Stainless Steel • Chrome Plated Brass Nuts



1/2" IPS X 3/8" COMP



PART #	SIZE / DESCRIPTION	INNER	MASTER
27108-NL	8"	10	100
27112-NL	12"	10	100
27116-NL	16"	10	100
27120-NL	20"	10	100
27124-NL	24"	10	100
27130-NL	30"	10	100
27136-NL	36"	10	100
27148-NL	48"	1	50

1/2" IPS X 1/2" IPS

PART #	SIZE / DESCRIPTION	INNER	MASTER
271201-NL	20"	10	100

3/8" FIP COMP X 3/8" FIP COMP

PART #	SIZE / DESCRIPTION	INNER	MASTER
27912-NL	12"	10	100
27920-NL	20"	10	100

Delta Style

3/8" MIP COMP X 3/8" FIP COMP

PART #	SIZE / DESCRIPTION	INNER	MASTER
27612-NL	12"	10	100
27620-NL	20"	10	100

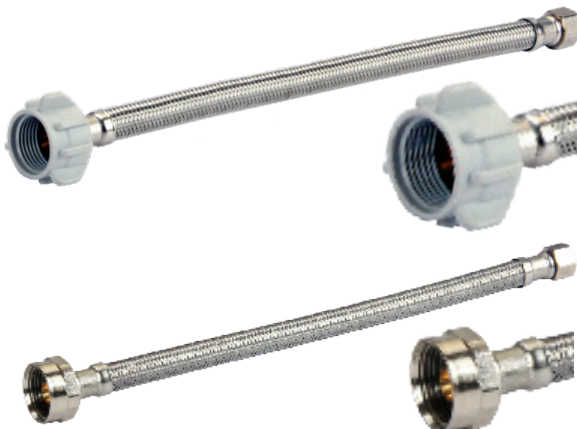
European Style

3/8" COMP X Insert Connector

PART #	SIZE / DESCRIPTION	INNER	MASTER
28120-NL	20"	6	48
28130-NL	30"	6	48

Braided Tank Supply

Lead Free • Stainless Steel



3/8" COMP X 7/8" BC Plastic Nut



PART #	SIZE / DESCRIPTION	INNER	MASTER
27412-NL	12"	10	100
27416-NL	16"	10	100
27420-NL	20"	10	100
27424-NL	24"	10	100

3/8" COMP X 7/8" CP Brass Nut

PART #	SIZE / DESCRIPTION	INNER	MASTER
27413-NL	12"	10	100
27417-NL	16"	10	100
27423-NL	20"	10	100

Braided Dishwasher Connector

Lead Free • Stainless Steel



3/8" COMP X 3/8" COMP With Brass Elbow



PART #	SIZE / DESCRIPTION	INNER	MASTER
27748PR-NL	48"	12	60
27760PR-NL	60"	12	60
27772PR-NL	72"	12	60
27784PR-NL	84"	12	48
27796PR-NL	96"	12	48
27712PR-NL	120"	12	48

3/8" COMP X 3/4" FHT With Swivel Elbow

PART #	SIZE / DESCRIPTION	INNER	MASTER
28748-NL	48"	12	72
28760-NL	60"	12	48
28772-NL	72"	12	48

Dishwasher Swivel Elbow

PART #	SIZE / DESCRIPTION	INNER	MASTER
287-EL-NL	3/8" COMP x 3/4" FM Hose	10	100

Braided Icemaker Supply

Lead Free • Stainless Steel



1/4" COMP X 1/4" COMP



PART #	SIZE / DESCRIPTION	INNER	MASTER
2662-NL	24"	12	72
2665-NL	60"	-	-
2666-NL	72"	12	48
2668-NL	96"	12	48
26610-NL	120"	5	20
26615-NL	180"	5	20
26625-NL	300"	5	20

Water Supply Riser

3/8" Installation • Chrome Plated Copper Tube



PART #	SIZE / DESCRIPTION	INNER	MASTER
27512	12" Faucet Chrome Plated	12	60
27520	20" Faucet Chrome Plated	12	60
27530	30" Faucet Chrome Plated	12	60
27536	36" Faucet Chrome Plated	12	48
27312	12" Delta Style Chrome Plated	10	100
27320	20" Delta Style Chrome Plated	10	100
27220	20" Delta Style Copper Finish	10	100
27812	12" Tank	12	72
27820	20" Tank	12	48

WATER SUPPLY

PEX Risers

3/8" COMP x 7/16" NOM - 1/2" OD



- 40°F to 150°F
- Pressure rating: 125 PSI maximum



PART #	SIZE / DESCRIPTION	INNER	MASTER
275121	12" Faucet	25	200
275201	20" Faucet	25	200
275301	30" Faucet	25	200
275122	12" Tank	25	200
275202	20" Tank	25	200

Braided Washing Machine Hose

Lead Free • Stainless Steel



- Working pressure 125 PSI
- PVC inner tube
- Stainless steel braided wire
- Full flow high pressure hose
- 3/4" Fem x 3/4" fem hose threads
- Working Temperature: 40°F to 140°F



PART #	SIZE / DESCRIPTION	INNER	MASTER
2573PR	36" Long	12	24
2574PR	48" Long	12	24
2575PR	60" Long	12	24
2576PR	72" Long	12	24
2578PR	96" Long	12	24
25712PR	144" Long	12	24
2575PR-KIT	60" Kit (2 Hoses) Long	12	24

Braided Washing Machine Hose

Lead Free • With 90 FHT Elbow • Stainless Steel



- 3/4" Female x 3/4" Female
- Stainless steel
- Individually bagged and barcoded



PART #	DESCRIPTION	INNER	MASTER
2585	60" Long	12	18
2586	72" Long	12	23

Rubber Washing Machine Hoses



Two Color - Hot / Cold Kits • Stamped Brass Ends



- Working pressure 200 PSI
- Temperature Rating: -20°F to 190°F
- 3/4" Female x 3/4" Female hose threads
- Individually bagged and barcoded
- EPDM Rubber tube and cover



PART #	SIZE / DESCRIPTION	INNER	MASTER
2564K	48" Pair - 1 Red & 1 Blue Hose	12	24
2565K	60" Pair - 1 Red & 1 Blue Hose	12	24
2566K	72" Pair - 1 Red & 1 Blue Hose	12	24
25610K	120" Pair - 1 Red & 1 Blue Hose	12	24
25612K	144" Pair - 1 Red & 1 Blue Hose	12	24

Rubber Washing Machine Hoses



Black Rubber • Stamped Brass Ends



- Working pressure 200 PSI
- Temperature Rating: -20°F to 190°F
- 3/4" Female x 3/4" Female hose threads
- Individually bagged and barcoded
- EPDM Rubber tube and cover



PART #	SIZE / DESCRIPTION	INNER	MASTER
2563	36" Rubber Washing Machine Hose	12	24
2564	48" Rubber Washing Machine Hose	12	24
2565	60" Rubber Washing Machine Hose	12	24
2566	72" Rubber Washing Machine Hose	12	24
2568	96" Rubber Washing Machine Hose	12	24
25610	120" Rubber Washing Machine Hose	12	24
25612	144" Rubber Washing Machine Hose	12	24

Rubber Washing Machine Mixer Hoses



Black Rubber • Stamped Brass Ends



- 2 Female hose thread inlets
- Individually bagged and barcoded
- Wye design



PART #	DESCRIPTION	INNER	MASTER
2810	12"	9	12

Washing Machine Discharge Hose



- Easy installation
- Corrugated and flexible

PART #	DESCRIPTION	INNER	MASTER
R1356	8'	1	10

WATER SUPPLY STOP VALVES

Multi Turn Supply Stops

Lead Free • Multi Turn On / Off Design • One-piece Chrome Plated Brass Body

- One-piece Chrome Plated brass body provides strength, durability and long-lasting performance
- Oval Chrome Plated Zinc Handle provides a secure grip and smooth on/off operation
- Easy-to-remove handle with screw attachment
- Lead Free Compliant
- 125 psi, Max Temperature 160 F
- Conforms to ASME A112.18.1-2011, NSF / ANSI 61 / 372
- Individually Bagged and Barcoded

Available in:

FIP/ SWT/ COMP/ CPVC/ PEX F1807



Multi Turn Angle Stop



PART #	END TYPE	SIZE / DESCRIPTION	INNER	MASTER
71114PR-NL	FIP	1/2" FIP x 1/4" OD COMP	10	200
71138PR-NL	FIP	3/8" FIP x 3/8" OD COMP	10	200
71112PR-NL	FIP	1/2" FIP x 3/8" OD COMP	10	200
71214PR-NL	SWEAT	1/2" SWT x 1/4" OD COMP	10	200
71212PR-NL	SWEAT	1/2" SWT x 3/8" OD COMP	10	200
71514PR-NL	COMP	5/8" OD COMP x 1/4" OD COMP	10	200
71358PR-NL	COMP	5/8" OD COMP x 3/8" OD COMP	12	144
71412PR-NL	CPVC	1/2" CPVC x 3/8" OD COMP	10	200
71512PR-NL	PEX F1807	1/2" PEX x 3/8" OD COMP	10	200



Multi Turn Straight Stop



PART #	END TYPE	SIZE / DESCRIPTION	INNER	MASTER
72112PR-NL	FIP	1/2" FIP x 3/8" OD COMP	10	200
72138PR-NL	FIP	3/8" FIP x 3/8" OD COMP	10	200
72212PR-NL	SWEAT	1/2" SWT x 3/8" OD COMP	10	200
72358PR-NL	COMP	5/8" OD COMP x 3/8" OD COMP	10	200
72412PR-NL	CPVC	1/2" CPVC x 3/8" OD COMP	10	200
72512PR-NL	PEX F1807	1/2" PEX x 3/8" OD COMP	10	200



Multi Turn Stop W/5" Extension Tube



PART #	END TYPE	SIZE / DESCRIPTION	INNER	MASTER
73212PR-NL	SWEAT	1/2" SWT x 3/8" COMP Angle Stop	10	100
74212PR-NL	SWEAT	1/2" SWT x 3/8" COMP Straight Stop	10	100



Multi Turn Dual Outlet Stop



PART #	END TYPE	SIZE / DESCRIPTION	INNER	MASTER
76358PR-NL	COMP	5/8" x 3/8" x 3/8" COMP	10	100

WATER SUPPLY STOP VALVES



1/4 Turn Supply Stops

Lead Free • 1/4 Turn Ball Valve Design • Chrome Plated Brass Body

- One-piece Chrome Plated Brass Body Provides Strength, Durability and Long-Lasting Performance
- Oval Chrome Plated Zinc Handle Provides a Secure Grip and Smooth On/Off Operation
- Easy-to-Remove Handle with Screw Attachment
- Self Lubricating PTFE Seats and Double O-Ring for Added Safety
- 100 psi, Normal Working Temperature 120°F
- Conforms to NSF/ANSI 61/372
- CSA & Truesdale Certified
- Individually Boxed and Barcoded

Available in:

FIP/ SWT/ COMP/ CPVC/ PEX F1807 & PEX F1960



1/4 Turn Angle Stop



PART #	END TYPE	SIZE / DESCRIPTION	INNER	MASTER
81112PR-NL	FIP	1/2" FIP x 3/8" OD COMP	12	144
81114PR-NL	FIP	1/2" FIP x 1/4" OD COMP	12	144
81138PR-NL	FIP	3/8" FIP x 3/8" OD COMP	12	144
81212PR-NL	SWEAT	1/2" SWT x 3/8" OD COMP	12	144
81214PR-NL	SWEAT	1/2" SWT x 1/4" OD COMP	12	144
81358PR-NL	COMP	5/8" OD COMP x 3/8" OD COMP	12	144
81514PR-NL	COMP	5/8" OD COMP x 1/4" OD COMP	12	144
81412PR-NL	CPVC	1/2" CPVC x 3/8" OD COMP	12	144
81512PR-NL	PEX F1807	1/2" PEX 3/8" OD COMP	12	144
81515PR-NL	PEX F1807	1/2" PEX 1/4" OD COMP	12	144
F-81512PR-NL	PEX F1960	1/2" F1960 x 3/8" COMP	12	144



1/4 Turn Straight Stop



PART #	END TYPE	SIZE / DESCRIPTION	INNER	MASTER
82112PR-NL	FIP	1/2" FIP x 3/8" OD COMP	12	144
82138PR-NL	FIP	3/8" FIP x 3/8" OD COMP	12	144
82212PR-NL	SWEAT	1/2" SWT x 3/8" OD COMP	12	144
82358PR-NL	COMP	5/8" OD COMP x 3/8" OD COMP	12	144
82412PR-NL	CPVC	1/2" CPVC x 3/8" OD COMP	12	144
82512PR-NL	F1807 PEX	1/2" PEX 3/8" OD COMP	12	144
82515PR-NL	F1807 PEX	1/2" PEX 1/4" OD COMP	12	144
F-82512PR-NL	F1960 PEX	1/2" F1960 x 3/8" COMP	12	144



1/4 Turn Dual Outlet Stop



PART #	SIZE	DESCRIPTION	INNER	MASTER
86314PR-NL	FIP	1/2" FIP x 3/8" Comp x 1/4" Comp	10	100
86311PR-NL	FIP	1/2" FIP x 3/8" Comp x 3/8" Comp	10	80
86324PR-NL	SWT	1/2" SWT X 3/8" Comp X 1/4" Comp	5	50
86312PR-NL	SWT	1/2" SWT X 3/8" Comp X 3/8" Comp	5	40
86358PR-NL	COMP	5/8" Comp x 3/8" Comp x 3/8" Comp	5	30
86351PR-NL	PEX	1/2" PEX x 3/8" Comp x 3/8" Comp	2	20

WATER SUPPLY STOP VALVES

1/4 Turn Supply Stops continued



Lead Free • 1/4 Turn Ball Valve Design • Chrome Plated Brass Body



1/4 Turn Stop W/5" Extension Tube



PART #	END TYPE	SIZE / DESCRIPTION	INNER	MASTER
83212PR-NL	SWEAT	1/2" SWT x 3/8" COMP Angle Stop	10	100
84212PR-NL	SWEAT	1/2" SWT x 3/8" COMP Straight Stop	10	100



1/4 Turn Loose Key Angle Stop



PART #	END TYPE	SIZE / DESCRIPTION	INNER	MASTER
91112PR-NL	FIP	1/2" FIP x 3/8" OD COMP	12	144
91212PR-NL	SWEAT	1/2" SWT x 3/8" COMP	12	144
91358PR-NL	COMP	5/8" OD COMP x 3/8" OD COMP	12	144



1/4 Turn Loose Key Straight Stop



PART #	END TYPE	SIZE / DESCRIPTION	INNER	MASTER
92112PR-NL	FIP	1/2" FIP x 3/8" OD COMP	12	144
92212PR-NL	SWEAT	1/2" SWT x 3/8" COMP	12	144
92358PR-NL	COMP	5/8" OD COMP x 3/8" OD COMP	12	144
93212PR-NL	SWEAT	1/2" SWT x 3/8" COMP	25	100



FIP x MIP Add On Valve



PART #	END TYPE	SIZE / DESCRIPTION	INNER	MASTER
82314PR-NL	COMP	3/8" COMP FEM x 1/4" COMP Male	12	144
82338PR-NL	COMP	3/8" COMP FEM x 3/8" COMP Male	12	144

Easy Connect Supply Stop Tee



Lead Free • Brass Construction



Easy Connect Tee



PART #	END TYPE	SIZE / DESCRIPTION	INNER	MASTER
73314-NL	COMP	3/8" FEM COMP x 3/8" MALE x 1/4" MALE	12	144
73338-NL	COMP	3/8" FEM COMP x 3/8" MALE x 3/8" MALE	12	144

WATER SUPPLY STOP VALVES

1/4 Turn Supply Stop Valves continued



Lead Free • 1/4 Turn Ball Valve Design • Chrome Plated Brass Body



F1960 Pex Water Supply Stop



PART #	END TYPE	SIZE / DESCRIPTION	INNER	MASTER
27-WA1214-NL	F1960 PEX	1/2" F1960 x 1/4" COMP Angle	10	100
27-WA12-NL	F1960 PEX	1/2" F1960 x 3/8" COMP Angle	10	100
27-WS12-NL	F1960 PEX	1/2" F1960 x 3/8" COMP Staright	10	100



Fix-A-Valve Water Supply Stop



PART #	END TYPE	SIZE / DESCRIPTION	INNER	MASTER
27-FS38-NL	FIP	3/8" FIP x 3/8" MALE	12	144

Push-Fit Supply Stop Valves



Lead Free • 1/4 Turn Ball Valve Design • Chrome Finish

- Chrome Plated brass body provides strength, durability and long-lasting performance
- Metal Handle
- Slim Fitting Design
- 200 PSI WOG



CONNECTS TO
 PEX 
 CPVC 
 COPPER 



Push Fit 1/4 Turn Angle Stop



PART #	END TYPE	SIZE / DESCRIPTION	INNER	MASTER
UPASC1214	Push X Comp	1/2" Push x 1/4" COMP	5	30
UPASC1238	Push X Comp	1/2" Push x 3/8" COMP	5	30
UPASP1212	Push X Push	1/2" Push x 1/2" Push	5	30



Push Fit 1/4 Turn Straight Stop



PART #	END TYPE	SIZE / DESCRIPTION	INNER	MASTER
UPSSC1214	Push X Comp	1/2" Push x 1/4" COMP	5	30
UPSSC1238	Push X Comp	1/2" Push x 3/8" COMP	5	30
UPSSP1212	Push X Push	1/2" Push x 1/2" Push	5	30

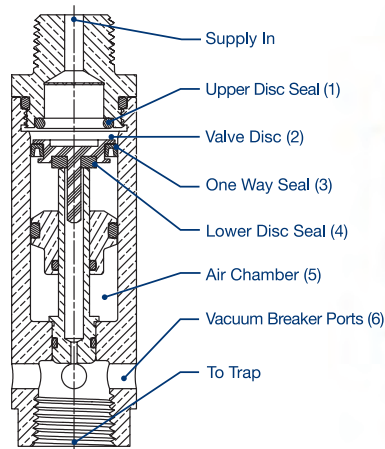
HAMMER ARRESTERS

Trap Primer

Lead Free • Pressure Drop Activated

Routinely delivers potable water to seldom used floor drains. Activates with a 10 psig pressure drop between 25-125 psi. Designed to be installed on a cold water line serving a frequently used fixture.

- Built in vacuum breaker ports
- Threaded inlet and outlet connection
- Lead Free Compliant
- EPDM Seals
- Maximum supply pressure: 125 psi
- Minimum supply pressure must exceed: 25 psi
- CSA & ASSE Approved

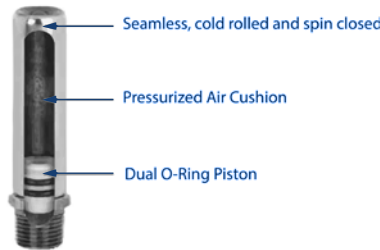


PART #	SIZE	INNER	MASTER
EFTP300T	1/2"	1	24

Water Hammer Arresters

Residential • Individually Bagged

- Available in types AA, A, B, C, & D
- Mini-resters approved for sealed wall installations with no access panel required
- May be installed at any angle



Male Threaded - Straight



PART #	SIZE / DESCRIPTION	INNER	MASTER
HAMT0012-NL	1/2" MPT "AA"	1	70
HR-A-12MPT-NL	1/2" MPT "A"	1	70
HR-B-34MPT-NL	3/4" MPT "B"	1	42
HR-C-1MPT-NL	1" MPT "C"	1	36
HR-D-114MPT-NL	1-1/4" MPT "D"	1	15

Male Sweat - Straight



PART #	SIZE / DESCRIPTION	INNER	MASTER
HAMS0012-NL	1/2" Male SWT "AA"	1	70
HR-A-12MS-NL	1/2" Male SWT "A"	1	70
HAMS0034-NL	3/4" Male SWT "AA"	1	72
HR-B-34SWT-NL	3/4" Male SWT "B"	1	30

Comp - Straight



PART #	SIZE / DESCRIPTION	INNER	MASTER
HACP0058*	5/8" OD STR COMP. "AA"	1	70

Comp x Comp - Tee



PART #	SIZE / DESCRIPTION	INNER	MASTER
HR-AA-14COMP-NL	AA 1/4" OD COMP x 1/4" OD Fem COMP Tee	12	72
HR-AA-38COMP-NL	AA 3/8" OD COMP x 3/8" OD Fem COMP Tee	1	80

PEX x PEX - Tee



PART #	SIZE / DESCRIPTION	INNER	MASTER
HAMP0012-NL	1/2"	1	35

Washing Machine Swivel



PART #	SIZE / DESCRIPTION	INNER	MASTER
HAWM0034*	3/4" Swivel FHT x 3/4" MHT Wash Machine	12	72

GAS CONNECTORS

Stainless Steel Gas Connector

Gas Range / Furnace • 5/8" OD 1/2" ID



End Configurations:

- 1/2" MIP x 3/4" MIP (K)
- 1/2" MIP x 1/2" MIP (A)
- 1/2" FIP x 1/2" MIP (C)

as well as many other configurations.

- 304 Stainless steel (ASTM A240)
- Gas fittings required for CSA design-certification
- 100% factory leak tested



PART #	SIZE / DESCRIPTION	INNER	MASTER
FTGC-SS12-12	12"	1	25
FTGC-SS12-18	18"	1	25
FTGC-SS12-24	24"	1	25
FTGC-SS12-30	30"	1	25
FTGC-SS12-36	36"	1	25
FTGC-SS12-48	48"	1	25
FTGC-SS12-60	60"	1	12
FTGC-SS12-72	72"	1	12

*Add suffix to end of part number for desired ends configurations.

Yellow Coated Gas Connector

Gas Range / Furnace • 5/8" OD 1/2" ID



End Configurations:

- 1/2" MIP x 3/4" MIP (K)
- 1/2" MIP x 1/2" MIP (A)
- 1/2" FIP x 1/2" MIP (C)

as well as many other configurations.

- 304 Stainless steel (ASTM A240)
- Gas fittings required for CSA design-certification
- 100% factory leak tested



PART #	SIZE / DESCRIPTION	INNER	MASTER
FTGC-YC12-12*	12"	1	25
FTGC-YC12-18*	18"	1	25
FTGC-YC12-24*	24"	1	25
FTGC-YC12-30*	30"	1	25
FTGC-YC12-36*	36"	1	25
FTGC-YC12-48*	48"	1	25
FTGC-YC12-60*	60"	1	12
FTGC-YC12-72*	72"	1	12

*Add suffix to end of part number for desired ends configurations.

Gas Fitting

CSA Approved

MIP



PART #	DESCRIPTION	INNER	MASTER
FTGF-58M12	5/8" Flare x 1/2" MIP	10	200
FTGF-58M34	5/8" Flare x 3/4" MIP	10	200

FIP



PART #	DESCRIPTION	INNER	MASTER
FTGF-58F12	5/8" Flare x 1/2" FIP	10	200
FTGF-58F34	5/8" Flare x 3/4" FIP	10	200

See our Flextron Catalog for a complete expanded line of gas connectors & accessories

FLEXTRONUSA.COM



Premier PVF & Specialty Products

GAS CONNECTORS

Commercial Food Service Connector Kit

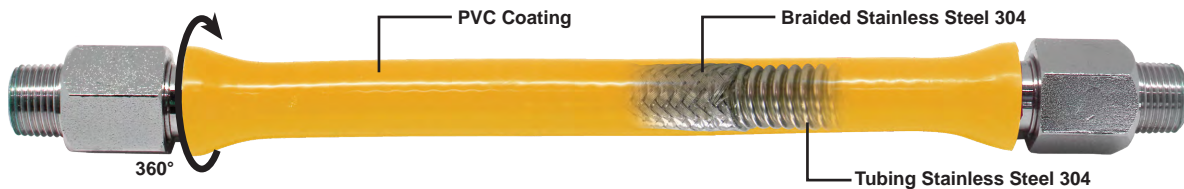


BL34 Series • 1" OD (3/4" ID)

Commercial food service gas connector and quick-disconnect

Specifically engineered for commercial cooking, movable gas appliances. Quick Disconnect and Restraining Cable complete the food service gas connection and extends the service life of the gas connector.

- CSA Approved for Movable Gas Appliances (ANSI Z21.69/CSA 6.16)
- Stainless Steel 304 Tubing
- Stainless Steel 304 Braided
- PVC Coating
- 360° Rotation on Both Ends



Food Service Gas Connector Kits

PART #	DESCRIPTION	QTY
FTGC-BL34-36N*	36" Commercial Food Service Gas Connector	1
FTGC-BL34-48N*	48" Commercial Food Service Gas Connector	1

* Add Code(s) to end of Part Number for desired kit components

Optional Kit Components:

CODE	PART #	DESCRIPTION	QTY
A	QD34	3/4" ID Quick Disconnect	1
B	RC36	Restraining Cable 36" Length	1
C	RC48	Restraining Cable 48" Length	1
D	FTGV-FFB	3/4" FIP 3/4" FIP Straight Valve	1
E	GMNL0034	3/4" Elbow 90, Galv Mal	1
F	GMSN0034	3/4" Street Elbow 90, Galv Mal	1
G	SV34	3/4" Swivel	1

IF YOUR REQUIREMENTS ARE NOT LISTED, PLEASE REQUEST A SPECIAL QUOTE FROM SALES DEPARTMENT.



STRAIGHT VALVE



RESTRAINING CABLE



QUICK DISCONNECT



SWIVEL



ELBOWS

WATER HEATER CONNECTORS

Water Heater Connectors



Maximized Corrosion Resistance • Lead Free Compliant



Copper Corrugated



PART #	END TYPE	LENGTH	SIZE	INNER	MASTER
FTWC-C34-18A	FIP	18	3/4" FIP x 3/4" FIP	1	25
FTWC-C34-24A	FIP	24	3/4" FIP x 3/4" FIP	1	25
FTWC-C34-18E	SWEAT	18	3/4" FIP x 3/4" SWT	1	25
FTWC-C34-24E	SWEAT	24	3/4" FIP x 3/4" SWT	1	25
FTWC-C34-18F	PEX	18	3/4" FIP x 3/4" PEX	1	25
FTWC-C34-24F	PEX	24	3/4" FIP x 3/4" PEX	1	25

Stainless Steel Braided



PART #	END TYPE	LENGTH	SIZE	INNER	MASTER
FTWC-B34-18A	FIP	18	3/4" FIP x 3/4" FIP	1	25
FTWC-B34-24A	FIP	24	3/4" FIP x 3/4" FIP	1	25
FTWC-B34-24D	FIP	24	3/4" FIP x 1" FIP	1	25
FTWC-B34-18B	MIP	18	3/4" FIP x 3/4" MIP	1	25
FTWC-B34-15C	PUSH	15	3/4" FIP x 3/4" PUSH	1	25
FTWC-B34-18C	PUSH	18	3/4" FIP x 3/4" PUSH	1	25

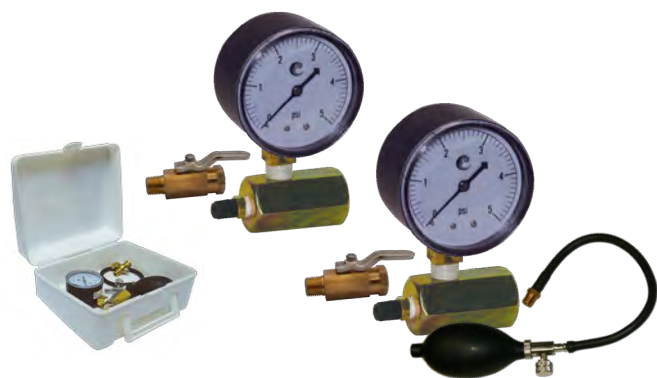
Stainless Steel Corrugated



PART #	END TYPE	LENGTH	SIZE	INNER	MASTER
FTWC-S34-12A	FIP	12	3/4" FIP x 3/4" FIP	1	25
FTWC-S34-15A	FIP	15	3/4" FIP x 3/4" FIP	1	25
FTWC-S34-18A	FIP	18	3/4" FIP x 3/4" FIP	1	25
FTWC-S34-24A	FIP	24	3/4" FIP x 3/4" FIP	1	25
FTWC-S34-18D	FIP	18	3/4" FIP x 1" FIP	1	25
FTWC-S34-24D	FIP	24	3/4" FIP x 1" FIP	1	25
FTWC-S01-12H	FIP	12	1" ID TUBE X 1" FIP	1	25
FTWC-S01-18H	FIP	18	1" ID TUBE X 1" FIP	1	25
FTWC-S01-24H	FIP	24	1" ID TUBE X 1" FIP	1	25
FTWC-S34-18E	SWEAT	18	3/4" FIP X 3/4" SWT	1	25
FTWC-S34-24E	SWEAT	24	3/4" FIP X 3/4" SWT	1	25
FTWC-S34-18F	PEX	18	3/4" FIP x 3/4" PEX	1	25
FTWC-S34-18C	PUSH	18	3/4" FIP x 3/4" PUSH	1	25
FTWC-S34-24C	PUSH	24	3/4" FIP x 3/4" PUSH	1	25

Gas Test Kit

Low Pressure • Furnished With Hexagonal Test Block



PART #	SIZE / DESCRIPTION	INNER	MASTER
5205	5 PSI Low Pressure Gas Test Kit	1	25
5210	10 PSI Low Pressure Gas Test Kit	1	25
5215	15 PSI Low Pressure Gas Test Kit	1	25
5230	30 PSI Low Pressure Gas Test Kit	1	25

With Hand Pump

PART #	SIZE / DESCRIPTION	INNER	MASTER
52051	5 PSI Low Pressure Gas Test Kit	1	25

WATER HEATER PANS

Water Heater Pans

Available in Aluminum & Black Plastic

- PVC Drain fitting included for 1" and 1-1/2"
- Protects your property from water damage

ALUMINUM #	PLASTIC #	SIZE	QTY
AWHP20	-	20"	10
AWHP22	PWHP22	22"	10
AWHP24	PWHP24	24"	10
AWHP26	PWHP26	26"	10
AWHP28	PWHP28	28"	10
AWHP30	-	30"	10

PVC MALE ADAPTER - W/ WASHER & LOCK NUT

PART #	SIZE	QTY
AWLN01WH	1"	100



Steel Water Heater Stand

Seismic Clips Included

- 18 Gauge galvanized steel construction
- 650lb Load rating & up to 52 gallons

PART #	SIZE	QTY
GWHS21	21" x 21" x 18"	5
GWHS24	24" x 24" x 18"	5

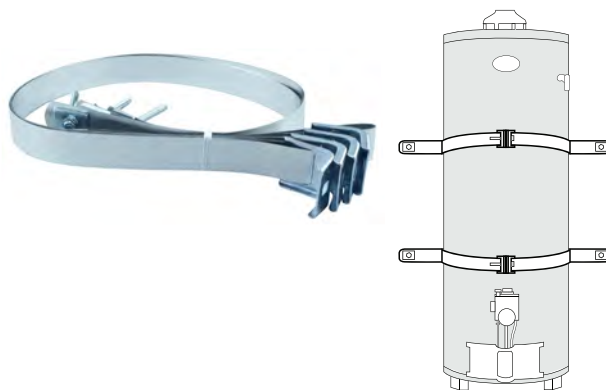


Steel Water Heater Straps

Wrap Around Mount

- Adjustable - Fits up to 80 gallon tanks
- Protect your home & family against water, fire & explosions
- Easy to install / Corrosion resistant

PART #	SIZE	QTY
GWHS55	Up to 55 Gallons With Clip	8
GWHS80	Up to 80 Gallons With Clip	8



High Quality PTFE Sealing Tape

RAVEN
SPECIALTY PRODUCTS

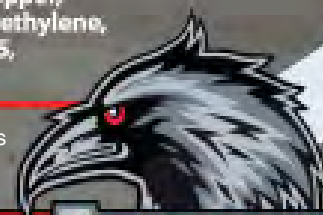
- A new, thicker, professional-grade density
- Protects against rust and corrosion
- Creates a permanent, watertight seal
- Easy to apply



Point of sale display box

Designed for threads made from galvanized steel, iron, brass, copper, aluminum, stainless steel, polyethylene, polypropylene, PVC, CPVC, ABS, fiberglass and more.

Will not harden or crack on the joints



TOUGHER SEAL

Raven PTFE polytetrafluoropolyethylene thread sealing tape is a thicker, denser, general-purpose thread seal tape. Fewer wraps are necessary to affect a leak-proof seal and it applies easily. No waste, and no re-taping make sealing joints an easy task. Raven thread sealing tape is manufactured from PTFE resin, a polymer consisting of recurring tetrafluoroethylene monomers (CF₂-CF₂)_n formula.



White PTFE Sealing Tape

Composition: 99.6% PTFE < 0.4%
Pigment Color: White
Thickness: 0.0035" +/- 10%
Tensile Strength: 15N / mm²
Density: 0.8g/cm³



Gray PTFE Sealing Tape

Composition: 99.6% PTFE < 0.4%
Pigment Color: Gray
Thickness: 0.0035" +/- 10%
Tensile Strength: 15N / mm²
Density: 0.8g/cm³



PART #	SIZE	INNER	MASTER
TTC12520	1/2" x 520	25	250
TTC34520	3/4" x 520	25	250
TTC1296	1/2" x 1296	25	250

PART #	SIZE	INNER	MASTER
TTC12520G	1/2" x 520	45	250
TTC34520G	3/4" x 520	45	250
* TTC1296G	1/2" x 1296	63	252
* TTC3496G	3/4" x 1296	45	180

* Sold in Display Case

**BEST
SELLER**

Termination Vent Screens

**PREVENTS
LEAVES
DEBRIS &
WILDLIFE
FROM ENTERING**

FEATURES

- Protects vent piping system from clogs
- Prevent pests, & debris from entering vent
- Connects to PVC fitting for flush installation
- No gluing Necessary!
- Slotted channel allows for condensation drainage preventing buildup & freezing
- High Grade Type 304 Stainless Steel Screen



TOP QUALITY

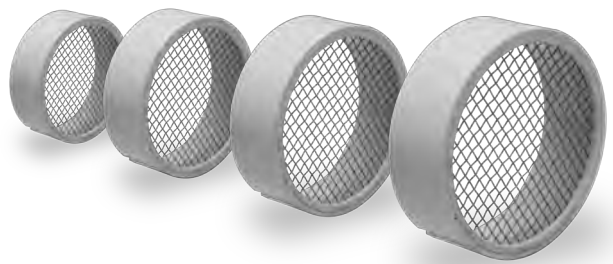
Termination Vent Screens

RAVEN
SPECIALTY PRODUCTS

Raven Pipe Vent Screens are professionally made to prevent unwanted animals, debris, and leaves from entering plumbing and HVAC vent pipes. Fabricated with schedule 40 PVC and high Grade Type 304 Stainless Steel Screen. The vent cap works excellent as a condensate trap screen and as well as a vent stack guard. Ideal for use on high efficiency heating equipment. No tools or glue is required for assembly. Simply press the vent screen into an existing fitting to seal out pests and unwanted debris. The patented condensate channel allows for proper drainage that prevents a buildup of debris and moisture, preventing freezing of screen.

Available in 4 Sizes • Stainless Steel Screen

PART #	SIZE	INNER	MASTER
TVS2SS	2"	1	100
TVS3SS	3"	1	100
TVS4SS	4"	1	50
TVS6SS	6"	1	12



■ US Patent # D715,409 S

The Complete Package.



everflowsupplies.com | 908.436.1100



Distribution

100 Middlesex Ave.
Carteret NJ 07008

150 S. Fairbank St.
Addison, Illinois 160101

2300 E. Bardin Rd.
Arlington, Texas 76018

12101 Harland Drive
Covington, Georgia 30014

www.everflowsupplies.com